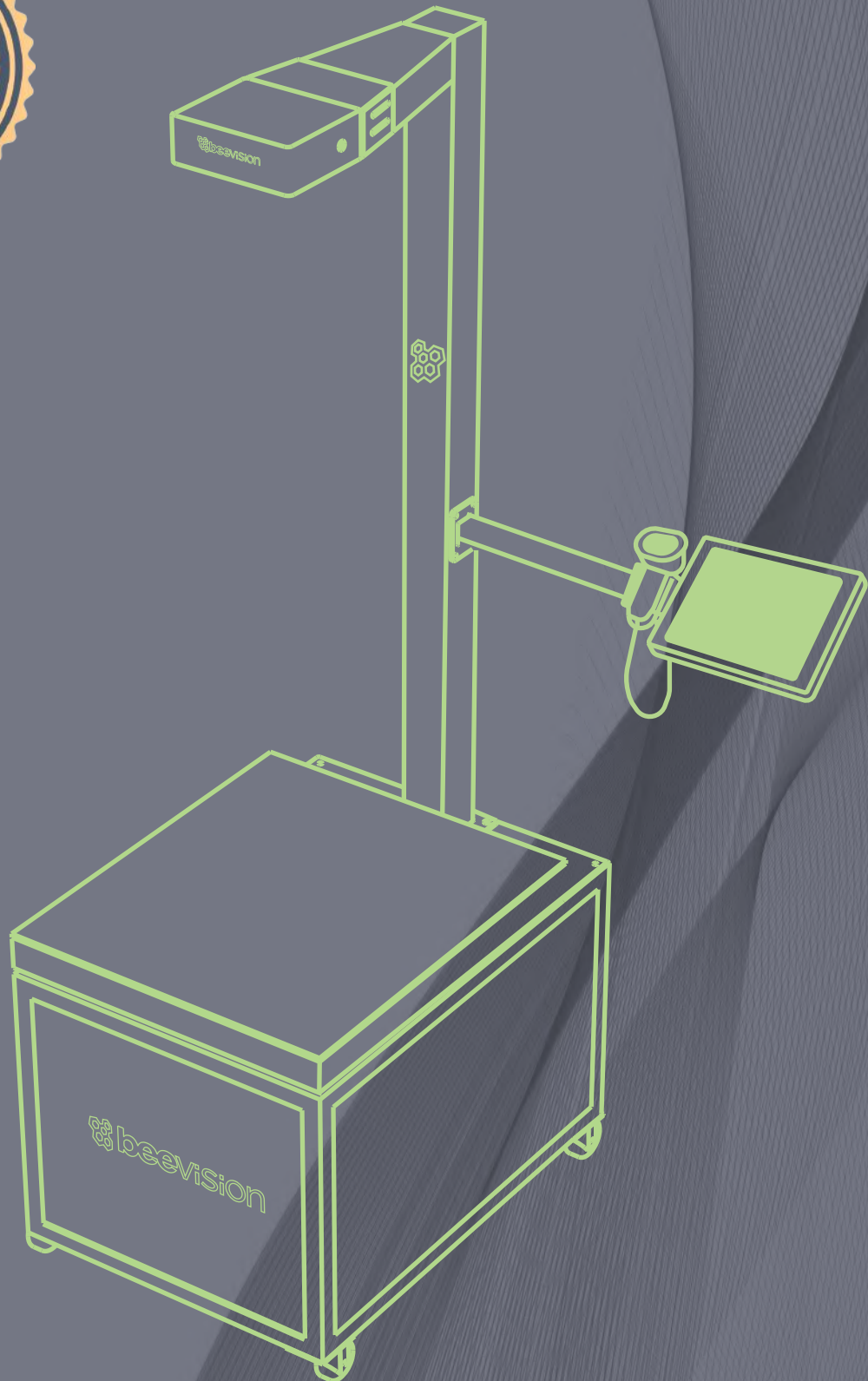


beevision
DIMENSIONER



BeeVision 180

DIMENSIONING AND
WEIGHING SYSTEM

Dimensioning anywhere and anytime!

BeeVision 180 is designed for making dimensioning as simple as possible. With its mobile platform and optional batteries, you can take it to anywhere and start measuring your items!

BeeVision 180 employs BeeVision 270 that is the first and only static dimensioner MID & OIML approved for irregular-shaped objects.

- Specifically designed for warehouses and courier branches
- All-in-one solution: dimensioning + weighing + barcode reading + image capture
- No external PC or SW required! Plug & measure!
- Internal storage of measurement results and images
- Our powerful UI available at integrated industrial monitor
- Remote access to device and download results to your PC as an Excel file
- Optional barcode/label printer
- Optional battery for 8-hour operation
- Wi-Fi for instant data insertion to your database anywhere in your facility
- Ergonomic design to process packages quickly
- Can be fit between conveyors to work on-line
- Measure regular and irregular objects
- Feature to add extra information per measurement such as inner-box-count, color, etc.

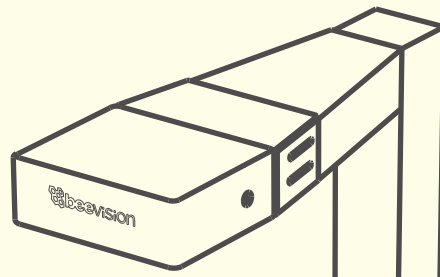
Applications

With BeeVision 180, you can;

- Collect dimension and weight information of your SKUs in your warehouse for better planning
- Measure inbound and outbound packages to control your logistic costs and revenue



BeeVision 270
Dimensioner

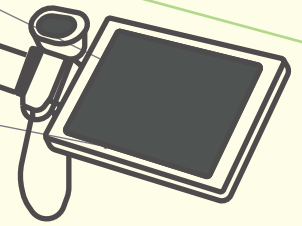


Handheld Barcode Scanner



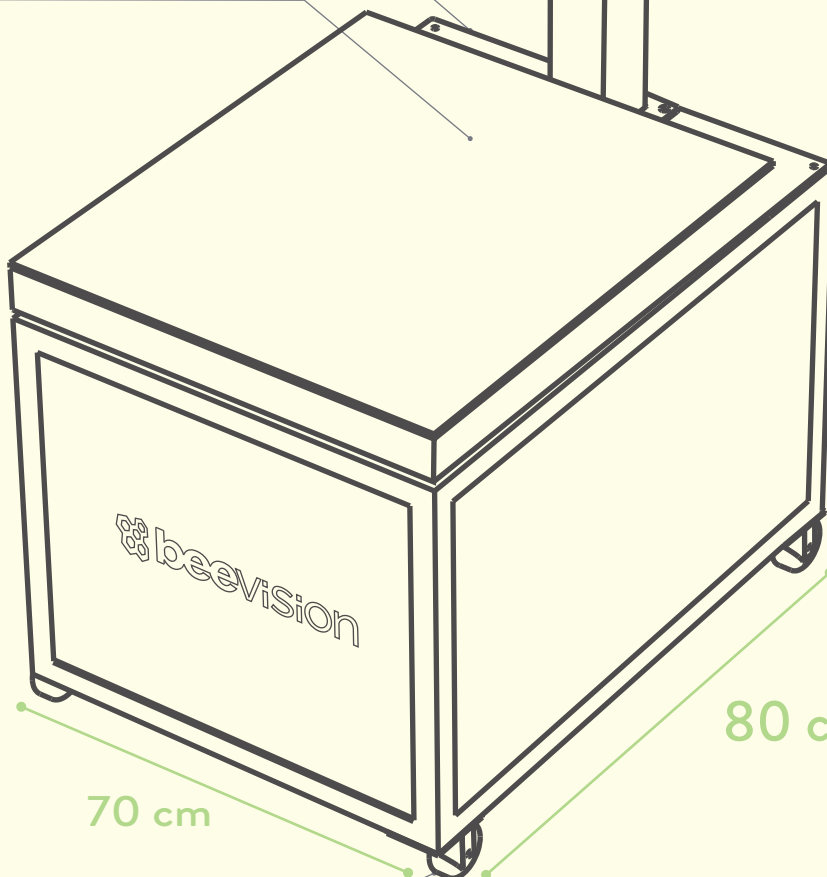
12" Industrial Monitor

80 cm



Optional Battery

Embedded Scale



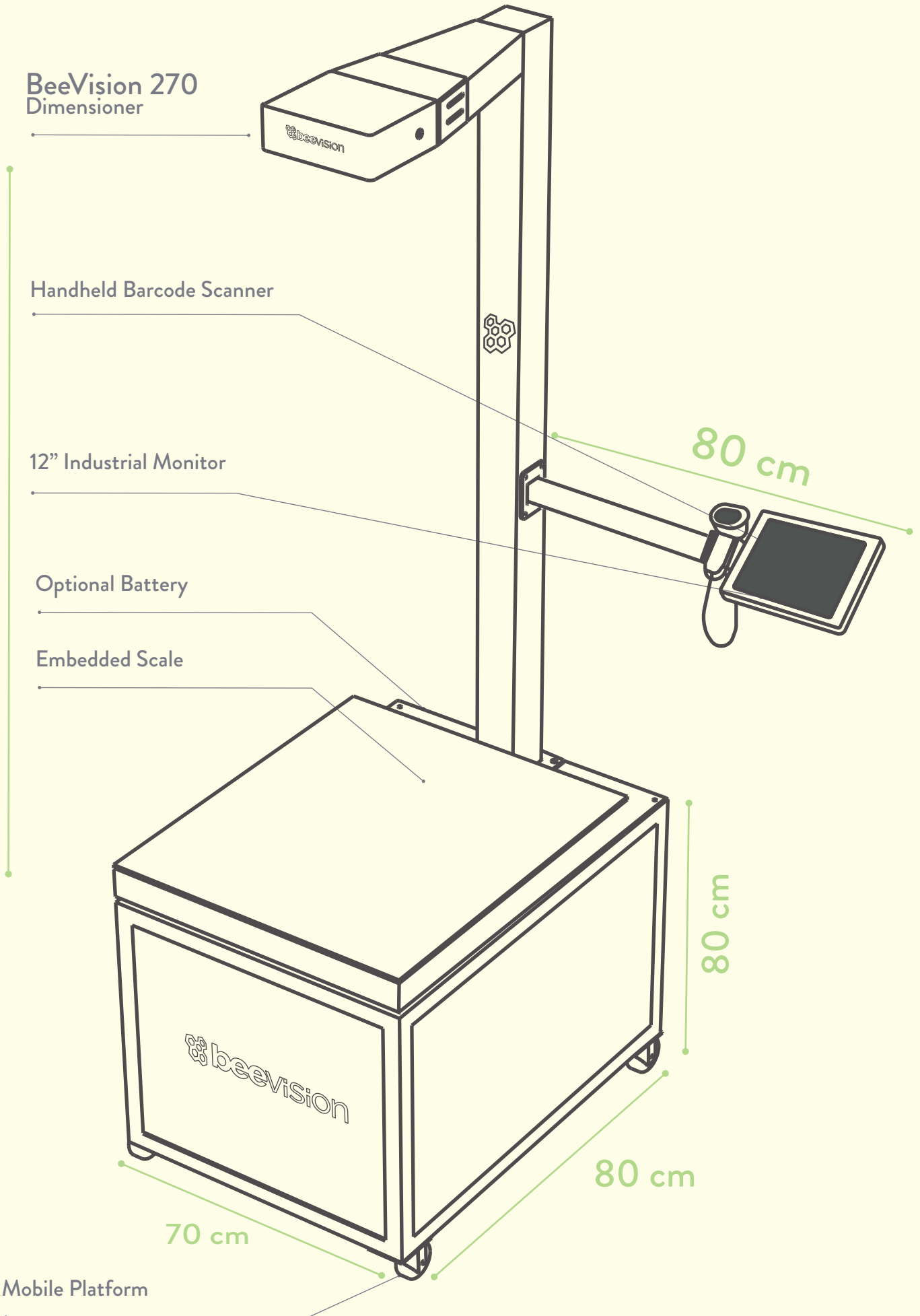
80 cm

80 cm

70 cm

Mobile Platform

150 cm



Technical Specifications

Technology	AI-Based 3D Image Processing
Measurable Objects	Cubic or Irregular Objects
Accuracy	± 0,5 cm
Integration Interface	Web Service or Excel-readable (XML) File Output over Ethernet or Wi-Fi, RS232
Ports	Ethernet, USB, RS232
Product Output	Width, Length, Height, Weight, Dimensional Weight, Real Volume
Operating Voltage	100-240 V
Average Current	4 A
Operating Temperature	5°C - 40°C
Material	Aluminium, iron and wood
Measurement Area (Platform) Dimensions	70cm x 80cm
Platform Height	80cm (From Ground)
Minimum Object Dimensions	5cm x 5cm x 5cm
Maximum Object Dimensions	80cm x 60cm x 60cm
Product Dimensions	125cm x 100cm x 240cm
Screen	12" Industrial Touch Screen
Barcode Scanning	Handheld Laser 1D Barcode Scanner
Scale	60 kg capacity, 20 gr accuracy
Total Package Weight	230kg
Total Package Dimensions	115 cm x 105 cm x 120 cm (Wooden Box)



+90 534 401 8589



info@beevision.ai

www.beevision.ai