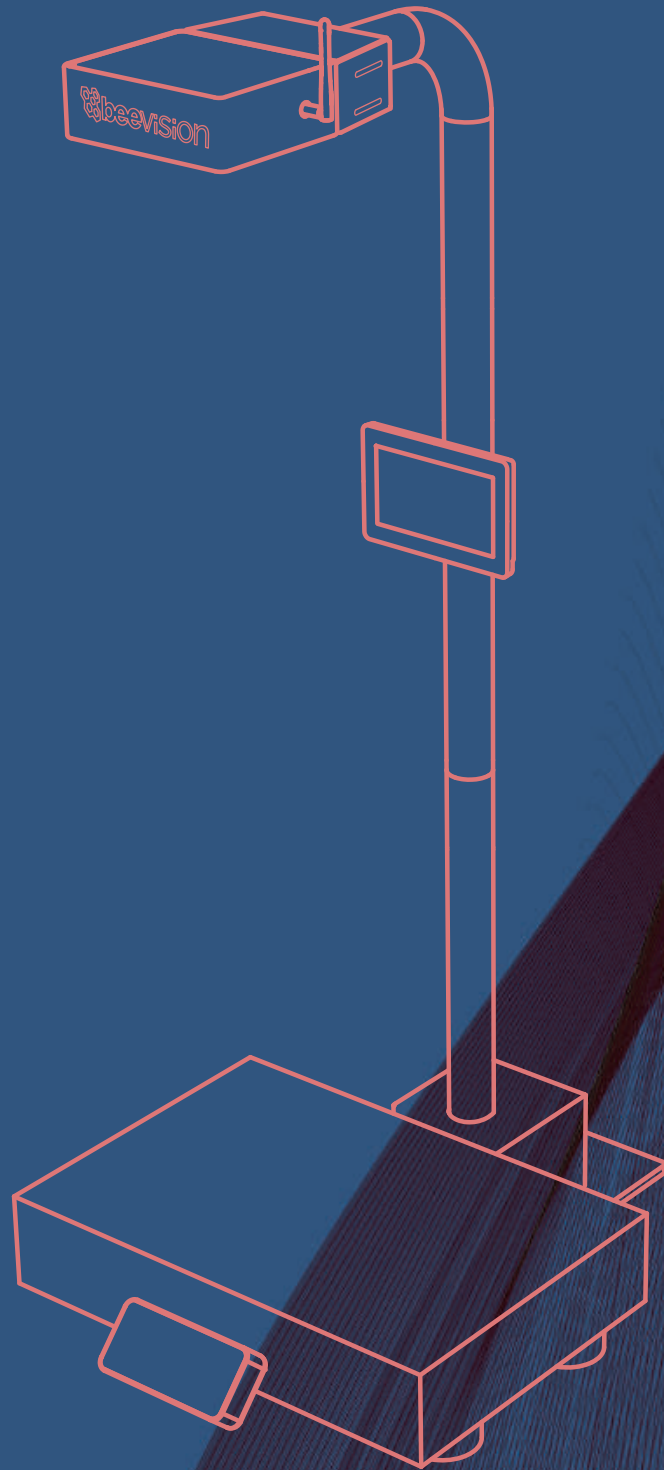




beevision
DIMENSIONER



BeeVision 182

DIMENSIONING AND
WEIGHING SYSTEM

BeeVision 182 is an agile dimensioning system. Its small size and super-fast measurement time makes it ideal for courier branches, post offices and warehouses.

BeeVision 182 is the first and only static dimensioning system MID & OIML approved for irregular-shaped objects.

- Specifically designed for post-office, mobile stations
- All-in-one solution: dimensioning + weighing + image capture
- No external PC or SW required! Plug & measure!
- Internal storage of measurement results and images
- Our powerful UI available at integrated touch-screen monitor
- Remote access to device and download results to your PC as an Excel file using WebUI
- Optional barcode/label printer
- Instant measurement after the object is placed on the platform
- Measure regular and irregular objects
- Feature to add extra information per measurement such as inner-box-count, color, etc.
- Any type of handheld barcode scanner can be connected via USB
- Data output via web service or RS232

Applications

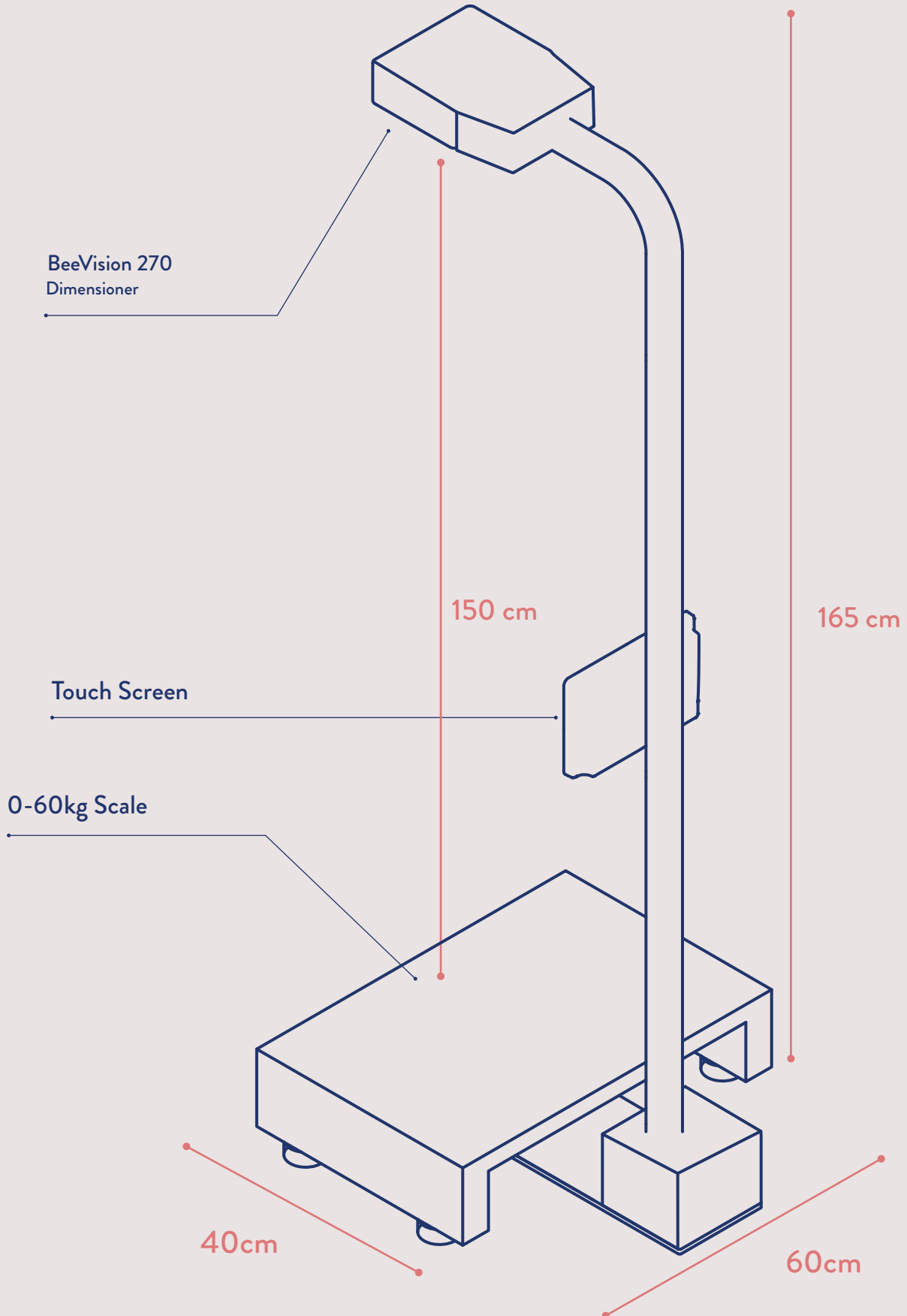
With BeeVision 182, you can;

- Collect dimension and weight information of your SKUs in your warehouse for better planning
- Measure inbound & outbound packages to control your revenue



BeeVision 182

DIMENSIONING AND
WEIGHING SYSTEM



Technical Specifications

Technology	AI-Based 3D Image Processing
Measurable Objects	Cubic or Irregular Objects
Accuracy	± 0.5 cm
Integration Interface	Web Service or Excel-readable (XML) File Output over Ethernet, RS232
Ports	Ethernet, USB, RS232
Product Output	Width, Length, Height, Weight, Dimensional Weight, Real Volume
Operating Voltage	100 -220 V
Average Current	1A@220V
Operating Temperature	5°C - 40°C
Measurement Area (Platform) Dimensions	40cm x 60cm
Minimum Object Dimensions	5cm x 5cm x 5cm
Maximum Object Dimensions	80cm x 60cm x 60cm
Product Dimensions	60cm x 60cm x 165cm
Screen	10.1" Touch Screen
Barcode Scanning	Handheld Laser 1D Barcode Scanner (optional)
Scale	60kg capacity, 20 gr accuracy
Package Dimensions	82 x 82 x 26 cm and 20 kg



+90 534 401 8589



info@beevision.ai www.beevision.ai